



Section 1 - Preface to the Bouvet Collections

Contents	P-1
Introduction to the Bouvet Collections	P-2
General Ordering Instructions	P-3
Terms of Sale	P-4
Shipping Policy	P-5
Installation Concepts	P-6 to P-7

Section 2 - Hématites Collection

Introduction	Intro
Entrance Sets	AA-1 to AA-2
Interior Escutcheon Sets	BA-1
Interior Rosette Sets	CA-1 to CA-2
Locks, Latches, and Deadbolts	DA-1
Components and Parts	EA-1 to EA-3

Section 3 - Iron Age Collection

Introduction	Intro
Entrance Sets	AA-1 to AA-2
Interior Rosette Sets	BA-1 to BA-2
Door Accessories and Cabinet Hardware	CA-1
Locks, Latches, and Deadbolts	DA-1
Components and Parts	EA-1 to EA-4

Section 4 - Haute Forge Collection

Introduction	Intro
Entrance Sets	AA-1
Escutcheon Sets	BA-1
Rosette Sets	CA-1
Locks, Latches, and Deadbolts	DA-1
Components and Parts	EA-1 to EA-3

Section 5 - La Porcelaine Collection

Introduction	Intro
Entrance Sets	AA-1
Interior Rosette Sets	BA-1
Locks, Latches, and Deadbolts	CA-1 to CA-2
Cabinet Hardware	DA-1
Components and Parts	EA-1 to EA-7



HISTORY

The company Bouvet was established in France in 1884 by Henri Bouvet.

Mr. Henri Bouvet started a long tradition of Forged Iron Decorative Hardware by handcrafting pieces for customers all around Europe. Most of these pieces are still in place today, having aged successfully to highlight ancient doors and pieces of furniture.

From the start, Bouvet has been devoted to developing new and innovative products in the tradition of the finest French design and craftsmanship. The style of the levers and escutcheons designed by Bouvet has for a long time influenced the trends in Decorative Hardware in Europe. This history of excellence in both style and quality has allowed Bouvet to hold the leading position within the French market of Decorative Hardware for over a century. Mr. Jean Bouvet continues these traditions in 1998 by designing original lines reflecting the expectations of today's clientele for quality and authenticity.

In 1991, Bouvet opened a branch (Bouvet USA) in the United States to make this fine line of high quality hardware available for the many architects, interior designers, and contractors in search of something special and new to offer to their clientele.

In 1998, Bouvet adds to its traditional French designs a series of collections that complement the new trends of today. The Bouvet Collections offer creative and innovative designs and finished for the distinctive lifestyles of American families through the art form it dominates – hand forging.

Bouvet USA, based in San Francisco, is now distributing these complete lines of Forged Iron and Forged Brass Door and Cabinet Hardware through a network of authorized Decorative Hardware showrooms located throughout the country.

All the products available in the United States have been adapted to meet American standards to facilitate installation and use without compromising the original style of our traditional French designs. All the products featured in our American catalogs are stocked in the USA and are ready to highlight the beautiful homes of America.

MANUFACTURING

Most of our lever handles, door knobs, and pulls are hand forged one by one for the pleasure of those who are looking for the finest design and craftsmanship in the world. Some of these products represent real pieces of art. Bouvet craftspeople are leaders in hand forged Decorative Hardware.

Escutcheons and rosettes are crafted out of solid plates of metal.

All our door hardware products are manufactured out of either solid brass or solid steel.

FINISHES

Hematites Collection is offered in: European pewter (12)

Iron Age Collection is offered in: Hand Hammered European Pewter (22)
Hand Hammered Raw Brass (23)
Hand Hammered Old Iron (29)
Hand Hammered Satin Black (27)
Available on special order: Hammered Bronze Patina

Haute Forge Collection is offered in: European Pewter (12)
Satin Black (07)

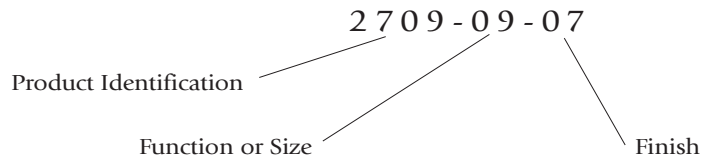
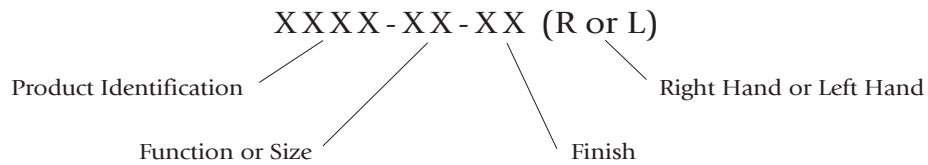
La Porcelaine Collection is offered in: European Pewter (12), Satin Black (07), Old Iron (09),
with Cobalt Blue, Ivory, Antique, White, Crackled Sepia and
Crackled Blue Porcelain.

All our steel products (finishes 07, 12, 22 and 27) are rust resistant. To achieve this, every component is specially treated with the Cementex Treatment. The Cementex Treatment consists of integrating zinc particles at very high temperatures to the surface of the steel. The Cementex Treatment has been used with success throughout the world for more than 30 years.



CODIFICATION

All Bouvet codes have 8 digits + handing (R or L) if necessary.



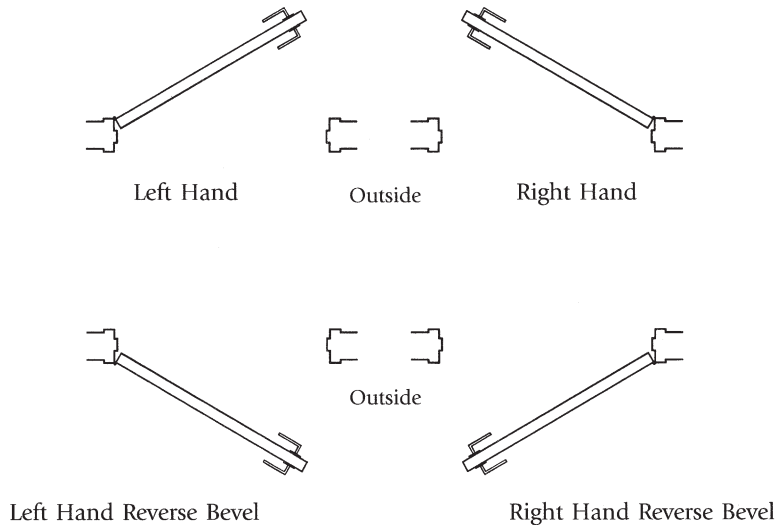
SPECIFICATIONS

When ordering door hardware, please always specify finish, door hand, door thickness and type of door (wood or metal).

Door thickness:

- All exterior sets (Entrance and Patio Functions) are supplied with spindles and fastening devices for 1³/₄" doors.
- All interior sets (Passage, Privacy, and Full Dummies) are supplied with spindles and fastening devices for 1³/₈".
- When other thicknesses are used, please specify door thickness.

HANDING OF DOOR





TERMS:	2% - 10 days; net 30 days
WAREHOUSE SHIPMENTS:	Orders below \$2,000.00 net – F.O.B. Bouvet San Francisco Orders above \$2,000.00 net – C.I.F. destination
MINIMUM ORDER:	\$100.00 net

CLAIMS: All claims, whether for defective merchandise or for billing and/or shipping errors, must be submitted in writing within 30 days following receipt of the shipment. The purchase will assume all liability and risk in cases where a lost shipment is not reported in writing within 30 days. The purchaser must authorize all issued documents delivered by the carrier to confirm receipt of the shipment.

RETURNS: Bouvet's written authorization is required for acceptance of returned goods. In order to receive credit promptly, please indicate the invoice and purchase order number, as well as their respective issue dates, on all claims. A 25% handling charge will be applied to all stock items returned in their original condition. Please note that special order goods cannot be returned for credit. Any customer returning merchandise damaged due to his or her own negligence will be charged an 80% handling fee. All credit returns must be shipped prepaid to Bouvet. No credit will be issued for goods invoiced more than one year prior to the date of return request.

ORDERS: Stock merchandise is usually shipped within 10 working days following receipt of the order. Unless otherwise notified by the customer, Bouvet will ship back-ordered items once they come into stock. Bouvet may discontinue items or modify specifications at any time without notice or obligation. Bouvet is not liable for any delays in delivery caused by modifications in an order.

CANCELLATIONS / CHANGES: Bouvet will make every effort to process all cancellations and/or changes transmitted by phone, fax, or in writing as quickly as possible; however, there is no guarantee that these modifications will be effected prior to shipment of the original order. In cases where the order has been shipped before the requested cancellations and/or changes could be processed, the standard handling charges will be applied to returned goods. Please note that special orders cannot be cancelled.

PRICES: Billing price will be determined according to the price list effective on the date the purchase order is received from the customer.

SPECIFICATIONS: Packaging, weights, measurements, and designs may be modified without notice.

LIMITED WARRANTY: Bouvet warranty conditions, whether expressed or implied, are limited to the following: goods sold will be of a quality consistent with Bouvet standards; all items have been thoroughly tested and inspected to verify that they meet these high standards; a one year warranty against defects in materials and/or workmanship is provided effective as of the original purchase date. Bouvet is not responsible for any damage caused by impact, tampering, mishandling, or abuse, nor for metal deterioration caused by exposure to atmospheric conditions beyond Bouvet's control. (Satin Black or European Pewter products are treated with the Cementex Treatment. This process consists of integrating zinc particles in steel at very high temperatures. This treatment protects against rusting. However, rust points may occur when products are exposed to extreme atmospheric conditions. The rust points are considered as part of the aging process and contribute to the authentic finish of the products. The Cementex Process has been used throughout the world for more than 20 years.) Bouvet is not liable for labor or any other costs relating to the sale, installation, use, or replacement of its products.

To make a claim on warranty, the customer must return the defective materials as well as the dated sales receipt without delay, to the distributor or dealer from which it was purchased. The distributor or dealer will then forward the return to Bouvet (see RETURNS above). If, following inspection, the product proves to be defective and is covered by warranty, it will be promptly repaired or replaced by Bouvet before being returned to the distributor dealer for delivery to the customer. Bouvet is not responsible for any labor or material charges otherwise incurred unless agreed to in writing.



ORDER CONFIRMATION

Every order will be confirmed by fax within 24 hours with an expected shipping date.

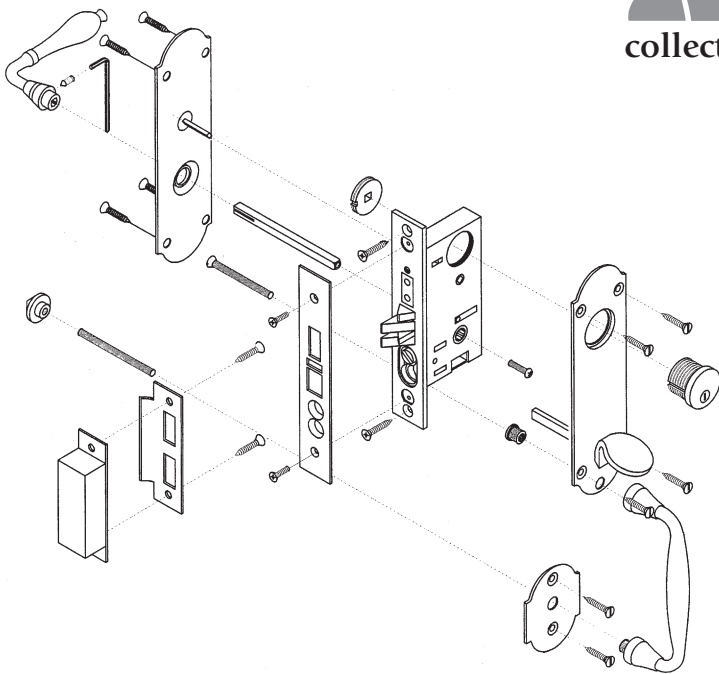
SPECIAL REQUESTS

Next Day Departure: All orders will have the possibility to leave the Next Business Day (if the order is placed before 12:00 noon Pacific Time). All orders requesting a Next Day Departure will be charged an extra \$25.00 (twenty-five dollars) special handling charge. This applies to Ground orders, 3-Day Select orders, Blue Label orders, and Red Label orders. If we cannot meet this deadline for any reason, you will be informed by fax before 2:00 PM Pacific Time the same day and the Next Day Departure fee will not be applied.

Second Day Departure: All orders will have the possibility to leave within the next 2 Business Days (if the order is placed before 12:00 noon Pacific Time). All orders requesting a Second Day Departure will be charged an extra \$15.00 (fifteen dollars) special handling charge. This applies to Ground orders, 3-Day Select orders, Blue Label orders, and Red Label orders. If we cannot meet this deadline for any reason, you will be informed by fax before 2:00 PM Pacific Time the same day and the Second Day Departure fee will not be applied.

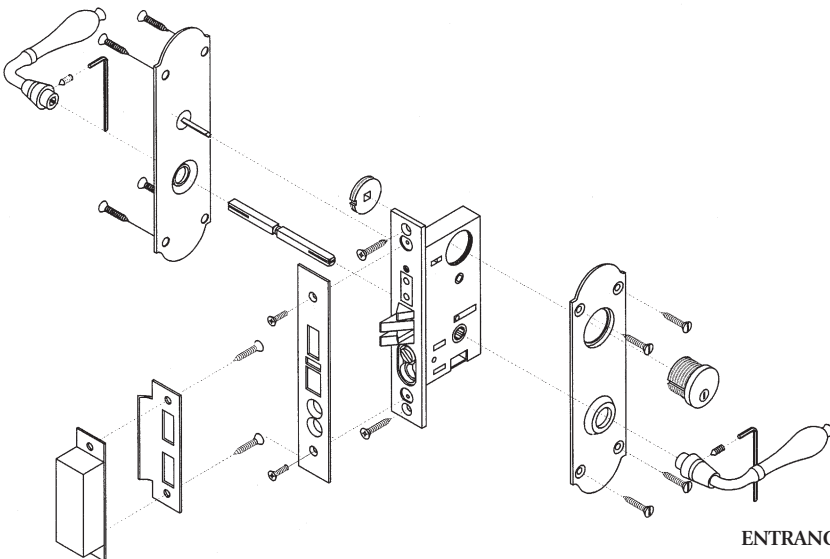
Dropship: Bouvet does not dropship to private residences. Customers requesting dropshipment take full responsibility for the merchandise. Bouvet reserves the right to refuse to dropship an order at any time.

Bouvet reserves the right to change shipping policies at any time. Customers will be advised 60 days prior to the date these changes become effective.



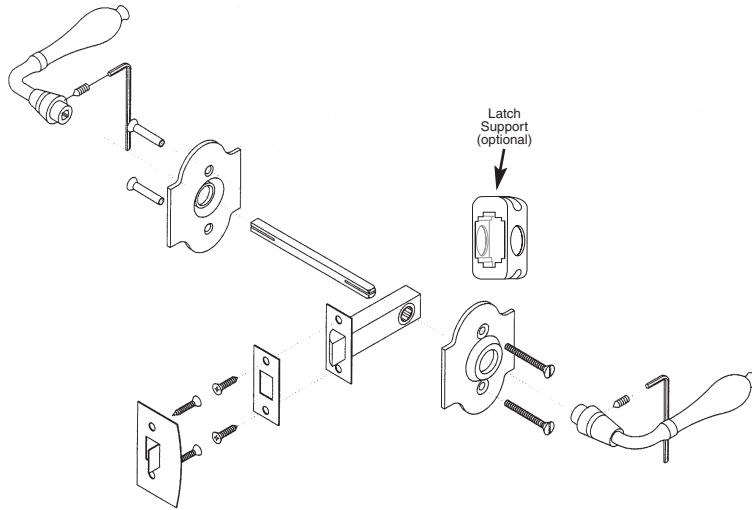
ENTRANCE HANDLE SETS

Handle sets are offered in either Handle/Lever or Handle/Knob functions. Entrance Handle Trims are used in combination with our 8500 series Heavy Duty Mortise Locks to provide maximum security. Sets can be installed at 2¹/₂" or 2³/₄" backsets. Sets are supplied with fasteners for 1³/₈" to 1³/₄" thick doors and extension kits are available for doors up to 2³/₄" thick. Templates are provided with all mechanisms.



ENTRANCE HANDLE SETS

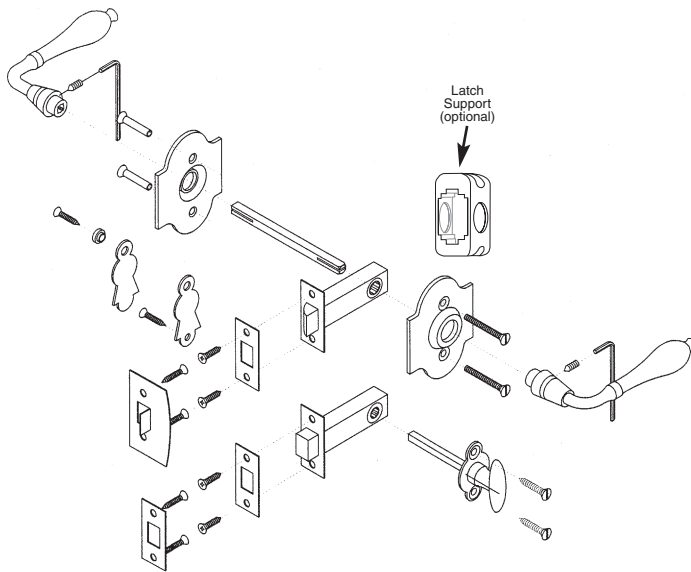
Entrance sets are offered in either Lever/Lever or Knob/Knob functions. Entrance Trims are used in combination with our 8500 series Heavy Duty Mortise Locks to provide maximum security. Sets can be installed at 2¹/₂" or 2³/₄" backsets. Sets are supplied with fasteners for 1³/₈" to 1³/₄" thick doors and extension kits are available for doors up to 2³/₄" thick. Templates are provided with all mechanisms.



PASSAGE ROSETTE SETS

Bouvet products are designed for ease of installation. The two rosettes are fixed to the door with thru-bolts no adapter is required. Rosette Sets can be installed into 2¹/₈" cutouts (except sets including rosettes 1414, 1415, 1481 & 1482); at 2³/₈" or 2³/₄" backset and in 1³/₈" to 2³/₄" thick doors.

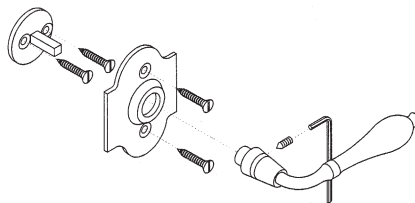
Exception: rosettes in the haute forge collection are surface mounted.



PRIVACY ROSETTE SETS

Bouvet products are designed for ease of installation. The two rosettes are fixed to the door with thru-bolts no adapter is required. Rosette Sets can be installed into 2¹/₈" cutouts (except sets including rosettes 1414, 1415, 1481 & 1482); at 2³/₈" or 2³/₄" backset and in 1³/₈" to 2³/₄" thick doors. Privacy bolts needs to be installed separately.

Exception: rosettes in the haute forge collection are surface mounted.



DUMMY ROSETTE SETS

Bouvet Dummy (inactive) mounting system requires that the dummy plate be mortised into the door to allow a flush mount of the rosettes.

bouvet



collections

P-8

March 2009

Reserved For
Future Additions