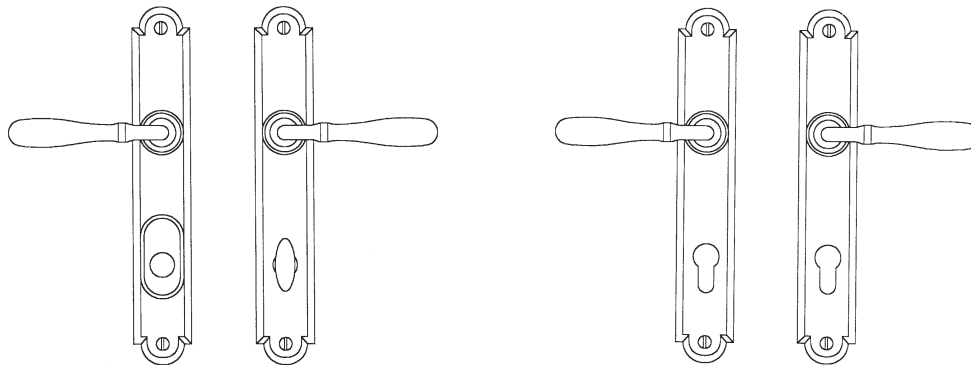




MULTIPOINT SYSTEMS

GENERAL INFORMATION



Single Cylinder
Multipoint Trim (35)

Multipoint Trim
Profile Cylinder (92)

D-1

09
bouvet

HOW TO ORDER MULTIPOINT SYSTEM TRIM

MULTIPOINT SYSTEM TRIMS include: exterior and interior escutcheons, two levers prepared for 8 mm spindle, and fastening devices for 1^{3/4}" doors. When used with a Key in Knob Cylinder or with a Profile Cylinder, please select the appropriate cylinder (8600 series) in **Section H**.

Important: Multipoint Trims can be adapted to most specifications. When placing an order, always specify the brand of the door used, center to center, type of cylinder, and, if possible, fax us an instruction template from the manufacturer.

- Always specify finish, door hand and door thickness.
- For general ordering information, please refer to the General Ordering Instructions in the PREFACE section of the catalog.



Bouvet Classics in Iron

2009
D-2

MULTIPOINT SYSTEMS

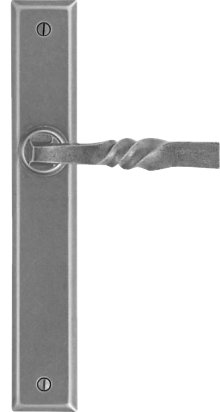
TRIM No. 2051



Composition:

Item No.	Description	Length	Width	Projection
1252	escutcheon	9 ¹ / ₄ "	1 ⁵ / ₈ "	1 ¹ / ₄ "
1005	lever handle	5 ¹ / ₂ "	1 ¹ / ₄ "	3"

TRIM No. 2052



Composition:

Item No.	Description	Length	Width	Projection
1252	escutcheon	9 ¹ / ₄ "	1 ⁵ / ₈ "	1 ¹ / ₄ "
1009	lever handle	5"	3 ³ / ₄ "	2 ³ / ₈ "

D-2

09
bouvet

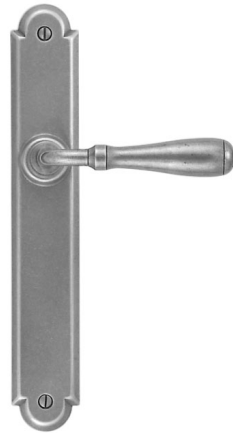
TRIM No. 2053



Composition:

Item No.	Description	Length	Width	Projection
1253	escutcheon	9 ¹ / ₄ "	1 ⁵ / ₈ "	1 ¹ / ₄ "
1002	lever handle	4 ³ / ₈ "	1 ¹ / ₂ "	2 ¹ / ₄ "

TRIM No. 2054



Composition:

Item No.	Description	Length	Width	Projection
1253	escutcheon	9 ¹ / ₄ "	1 ⁵ / ₈ "	1 ¹ / ₄ "
1001	lever handle	4 ³ / ₄ "	7 ⁷ / ₈ "	2 ¹ / ₄ "



Bouvet Classics in Iron

2009
D-2

MULTIPOINT SYSTEMS PRICE LIST

FINISHES	07 - SATIN BLACK	09 - OLD IRON (RUST)	12 - EUROPEAN PEWTER	
ITEM No.	DESCRIPTION	SUGGESTED LIST PRICE		
		07	09	12
MULTIPOINT SYSTEM TRIMS				
Multipoint System Trim 2051				
2051-35	Single Cylinder Trims for Multipoint System**	323.00	378.00	378.00
2051-32	Patio with Turn Piece for Multipoint System	276.00	321.00	321.00
2051-38	Full Dummy***	256.00	292.00	292.00
2051-92	Multipoint System Trim for Profile Cylinder**	266.00	308.00	308.00
2051-93	Patio Multipoint System Trim for Half Profile Cylinder**	254.00	293.00	293.00
Multipoint System Trim 2052				
2052-35	Single Cylinder Trims for Multipoint System**	271.00	326.00	326.00
2052-32	Patio with Turn Piece for Multipoint System	224.00	269.00	269.00
2052-38	Full Dummy***	204.00	240.00	240.00
2052-92	Multipoint System Trim for Profile Cylinder**	214.00	256.00	256.00
2052-93	Patio Multipoint System Trim for Half Profile Cylinder**	202.00	241.00	241.00
Multipoint System Trim 2053				
2053-35	Single Cylinder Trims for Multipoint System**	275.00	338.00	338.00
2053-32	Patio with Turn Piece for Multipoint System	228.00	281.00	281.00
2053-38	Full Dummy***	208.00	252.00	252.00
2053-92	Multipoint System Trim for Profile Cylinder**	218.00	268.00	268.00
2053-93	Patio Multipoint System Trim for Half Profile Cylinder**	206.00	253.00	253.00
Multipoint System Trim 2054				
2054-35	Single Cylinder Trims for Multipoint System**	271.00	326.00	326.00
2054-32	Patio with Turn Piece for Multipoint System	224.00	269.00	269.00
2054-38	Full Dummy***	204.00	240.00	240.00
2054-92	Multipoint System Trim for Profile Cylinder**	214.00	256.00	256.00
2054-93	Patio Multipoint System Trim for Half Profile Cylinder**	202.00	241.00	241.00
ESCUTCHEONS FOR MULTIPOINT SYSTEMS				
Escutcheon 1252				
1252-31	1 piece escutcheon multipoint passage	55.00	67.00	67.00
1252-33	1 piece escutcheon multipoint privacy turn piece	89.00	110.00	110.00
1252-36	1 piece escutcheon multipoint cylinder	102.00	124.00	124.00
1252-92	1 piece escutcheon multipoint profile cylinder	67.00	82.00	82.00
1252-38	1 piece escutcheon multipoint for full dummy	62.00	74.00	74.00
Escutcheon 1253				
1253-31	1 piece escutcheon multipoint passage	55.00	67.00	67.00
1253-33	1 piece escutcheon multipoint privacy turn piece	89.00	110.00	110.00
1253-36	1 piece escutcheon multipoint cylinder	102.00	124.00	124.00
1253-92	1 piece escutcheon multipoint profile cylinder	67.00	82.00	82.00
1253-38	1 piece escutcheon multipoint for full dummy	62.00	74.00	74.00

D-2
price
09
bouvet

* Trims for Multipoint Systems do not include mechanisms.

** Profile Cylinder and Key in Knob Cylinder for Multipoint Systems are in **Section H**. Please choose appropriate size.

Note: When using a Multipoint Trim on clad doors or replacing existing hardware, mounting points for screws may not match those already in the door. It is important that the customer be informed that new holes may need to be drilled and to be certain that old holes will be covered by the escutcheons. However, Multipoint Trims can be adapted to most specifications. As most Multipoint manufactures have slight variations in their mechanisms, it is the responsibility of the purchaser to verify that the trim operates properly and satisfactorily with the mechanism. It is not Bouvet's responsibility to source out miscellaneous parts to ensure proper function.

*** For dummy sets, please specify if active (operating still bolts) or inactive (non-operating).



Bouvet Classics in Iron

2009
D-3

MULTIPOINT SYSTEMS

RESERVED FOR FUTURE ADDITIONS

D-3

09
bouvet