



## INTRODUCTION



### HISTORY

The company Bouvet was established in France in 1884 by Mr. Henri Bouvet.

Mr. Bouvet started a long tradition of Forged Iron Decorative Hardware by handcrafting pieces for customers all around Europe. Most of these pieces are still in place today, having aged successfully to highlight ancient doors and pieces of furniture.

From the start, the company has been devoted to developing new and innovative products in the tradition of the finest French design and craftsmanship. The style of the levers and escutcheons designed by Bouvet have for a long time influenced the trends in Decorative Hardware in Europe. This history of excellence in both style and quality has allowed Bouvet to hold

the leading position within the French market of Decorative Hardware for over a century. Mr. Jean Bouvet continues these traditions in 1998 by designing original lines reflecting the expectations of today's clientele for quality and authenticity.

In 1991, Bouvet decided to open a branch in the United States to make this fine line of high quality hardware available for the many Architects, Interior Designers and contractors in this country in search of something special and new to offer to their clientele. This move responded to a new trend towards authentic traditional styles in Decorative Hardware in the American market.

Bouvet USA, based in San Francisco, is now distributing this complete line of Forged Iron and Forged Brass Door and Cabinet hardware through a network of authorized Decorative Hardware showrooms located throughout the country.

All the products available in the United States have been adapted to meet American standards to facilitate installation and use without compromising the original style of our traditional French designs. All the products featured in our American Catalogs are stocked in the USA and ready to highlight the beautiful homes of America.

### MANUFACTURING PROCESS

- Most of our lever handles, door knobs and pulls are hand forged one by one for the pleasure of those who are looking for the finest design and craftsmanship in the world. Some of these products represent real pieces of art. Bouvet crafts people are leaders in hand forged Decorative Hardware.
- Escutcheons and rosettes are crafted out of solid plates of metal.
- All our door hardware products are manufactured out of either solid brass or solid steel.

### FINISHES

- We offer 5 finishes on our solid brass products :
  - Polished Brass (03)
  - Polished Nickel (08)
  - Satin Antique Brass (06)
  - Satin Nickel (05)
  - Bronze Patina (04)
- For exterior use, we recommend unlacquered polished brass. Unlacquered polished brass can be special ordered at no extra cost.
- We offer three finishes on our solid steel products :
  - Satin Black (07)
  - European Pewter (12)
  - Old Iron (Rust) (09)
- All our steel products are rust resistant. To achieve this, every component is specially treated with the Cementex Treatment. The Cementex Treatment consists of integrating zinc particles at very high temperature to the surface of the steel. The Cementex treatment has been used with success throughout the world for more than 30 years.

### WARNING

#### Old Iron Finish Usage Recommendations:

Do not use in areas with high moisture content and never use on outward swing doors. It is recommended that Old Iron be used only on interior doors. To care for the Old Iron finish, periodically clean residue from the hardware with a soft, damp cloth, dry completely, and apply a non-abrasive, non-colored wax to help stabilize the finish.



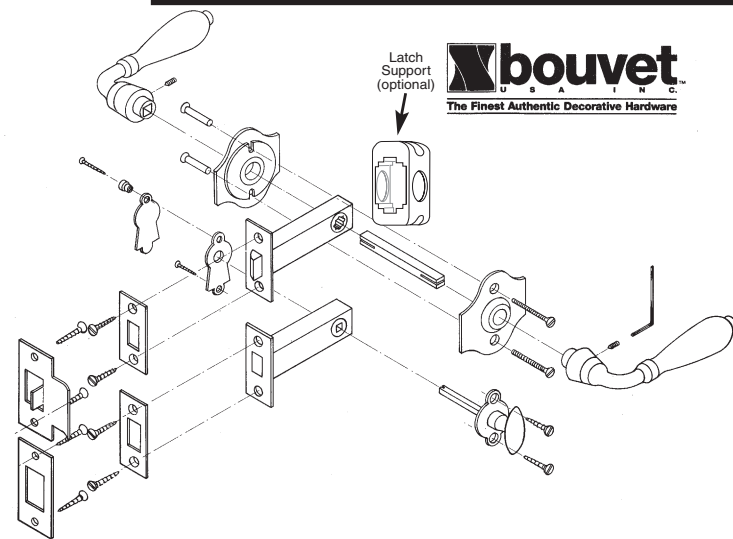
# *Bouvet Classics*

2009

## NOTES

09  
bouvet

## INSTALLATION CONCEPTS

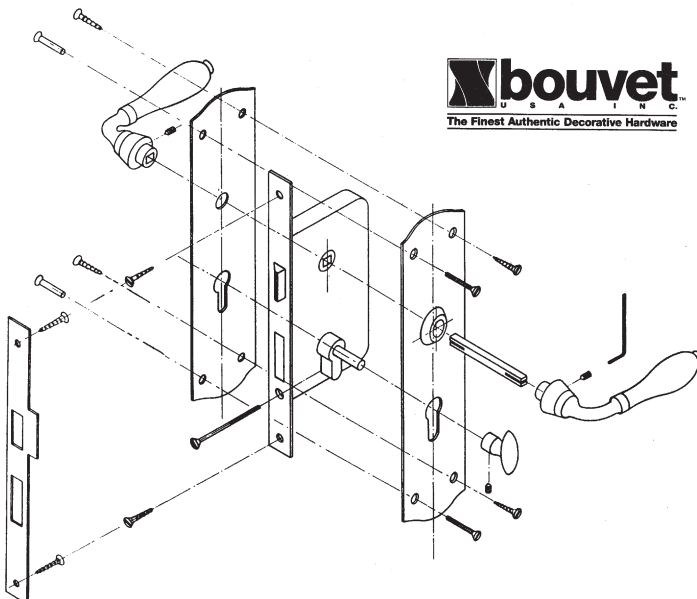


### INSTALLATION CONCEPT: SIMPLICITY

#### ROSETTE SETS

Bouvet products are designed for ease of installation. The two rosettes are fixed to the door with thru-bolts; no adapter is required.

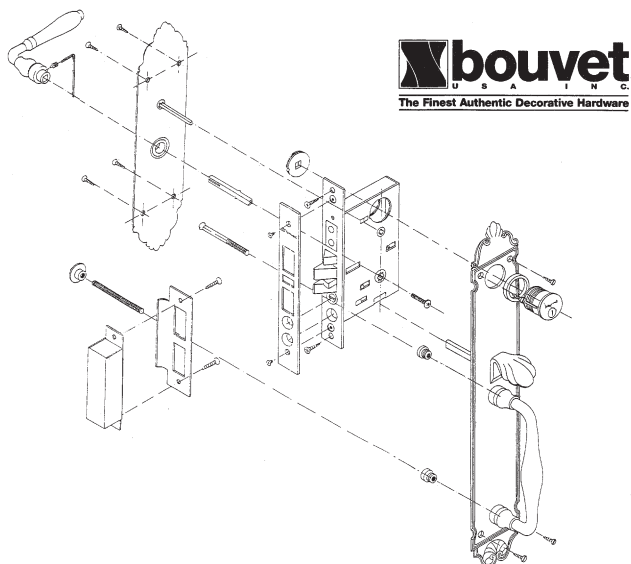
Rosette Sets can be installed into 2<sup>1</sup>/<sub>8</sub>" cutouts (except set including rosette 1412); at 2<sup>3</sup>/<sub>8</sub>" or 2<sup>3</sup>/<sub>4</sub>" backset; and in 1<sup>3</sup>/<sub>8</sub>" to 2<sup>3</sup>/<sub>4</sub>" thick doors. See Section D of the catalog for templates for Rosette Sets.



#### EUROPEAN STYLE SETS

European Style Trims are a French style of decorative hardware. Escutcheons can be fixed to the door with thru-bolts or wood screws. Escutcheons 1207, 1208, and 1209 will cover a 2<sup>1</sup>/<sub>8</sub>" cutout.

European Style Sets can be installed into a 1<sup>1</sup>/<sub>2</sub>" or 2" Backset in 1<sup>3</sup>/<sub>8</sub>" to 2<sup>3</sup>/<sub>4</sub>" doors. See Section C of the catalog for templates for European Style Sets.



#### ENTRANCE SETS

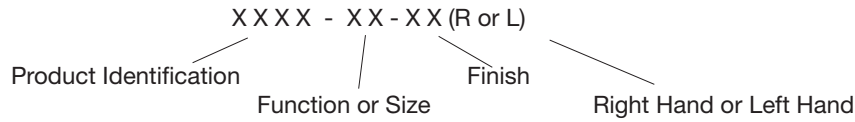
Entrance Sets are offered in either a Handle/Lever or a Lever/Lever function. Entrance Trims are used in combination with our Heavy Duty Mortise Locks (8500 series), which provide maximum security. Escutcheons 1108, 1207, 1208 and 1209 will cover a 2<sup>1</sup>/<sub>8</sub>" cutout.

Entrance Sets can be installed into 2<sup>1</sup>/<sub>2</sub>" or 2<sup>3</sup>/<sub>4</sub>" Backsets in 1<sup>3</sup>/<sub>4</sub>" to 2<sup>3</sup>/<sub>4</sub>" doors. See Section A & B of the catalog for templates for Entrance Sets.

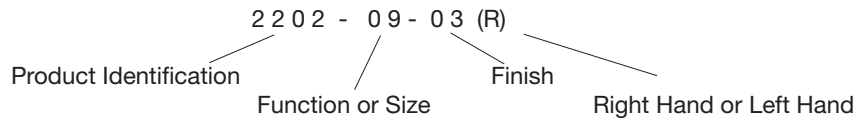
## GENERAL ORDERING INSTRUCTIONS

### CODIFICATION

All Bouvet codes have 8 digits + handing (R or L) if necessary.



Example:



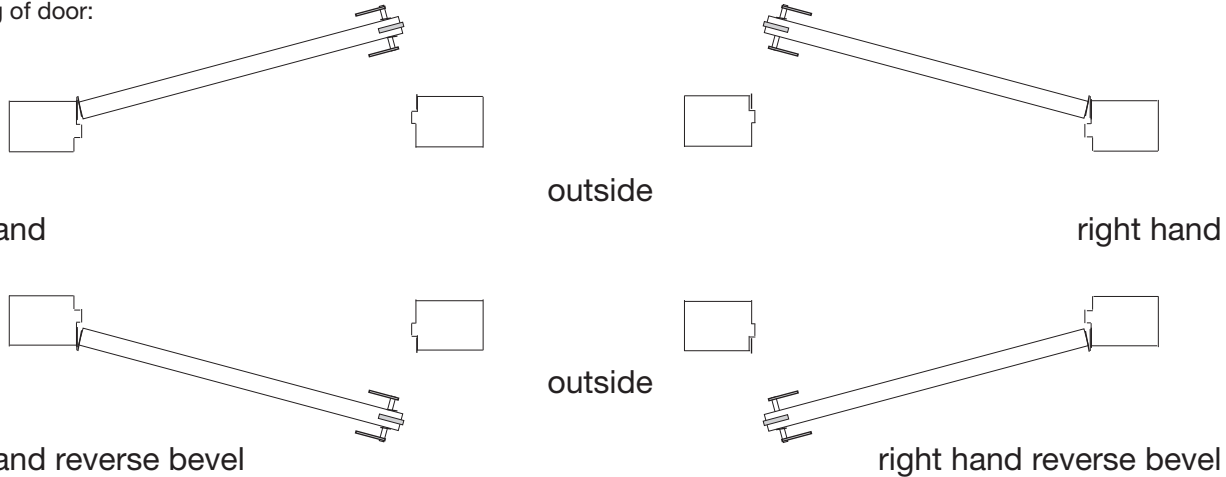
### SPECIFICATIONS

When ordering door hardware, please always specify finish, door hand, door thickness and type of door (wood or metal).

Door thickness:

- All exterior sets (Entrance and Patio functions) are supplied with spindles and fastening devices for 1<sup>3</sup>/<sub>4</sub>" doors.
- All interior sets (Passage, Privacy and Full Dummies) are supplied with spindles and fastening devices for 1<sup>3</sup>/<sub>8</sub>" doors.
- When other thicknesses are used, please specify door thickness. We can accommodate any thickness up to 2<sup>1</sup>/<sub>2</sub>".

Handing of door:



### CUSTOMIZATION

- All door levers (1000 series) and door knobs (1600 series) can be combined with every rosette (1400 series) or escutcheon (1200 series). Customers are welcome to make their own sets.
- When ordering customized sets, please compile a list of the components needed. You do not need to order spindles or fastening devices separately; just specify the door thickness. In fact, spindles and set screws are automatically included with the levers, and fastening devices are automatically supplied with the rosettes and the escutcheons.
- In addition to door thickness, please specify finish, door hand and type of door when you are ordering a customized set.
- For further information on how to order customized sets, please refer to section G-1 on Components and Parts.



*Bouvet Classics*

2009

P-5

09  
bouvet

## TERMS OF SALE

Terms: 2% - 10 days  
net 30 days

Warehouse Orders below \$1,000.00 - F.O.B. Bouvet San Francisco  
shipments: Orders above \$1,000.00 - C.I.F. destination

Minimum order: \$50.00 net

**CLAIMS:** All claims, whether for defective merchandise or for billing and/or shipping errors, must be submitted in writing within 30 days following receipt of the shipment. The purchaser will assume all liability and risk in cases where a lost shipment is not reported in writing within 30 days. The purchaser must authorize all issued documents delivered by the carrier to confirm receipt of the shipment.

**RETURNS:** Bouvet USA's written authorization is required for acceptance of returned goods. In order to receive credit promptly, please indicate the invoice and purchase order number, reason for return, as well as their respective issue date for all claims. A 25% handling and freight charge will be applied to all stock items returned in their original condition. Please note that special order goods cannot be returned for credit. Any customer returning merchandise damaged due to his or her own negligence will be charged an 80% handling fee. All credit returns must be shipped prepaid to Bouvet USA. No credit will be issued for goods invoiced more than one year ago.

**ORDERS:** Stock merchandise is usually shipped within 5 working days following receipt of the order. Unless otherwise specified by the customer, Bouvet will ship back-ordered items once they come into stock. Bouvet USA may discontinue items or modify specifications at any time without notice or obligation. Bouvet USA is not liable for any delays in delivery caused by modifications in an order.

**CANCELLATIONS/ORDERS:** Bouvet USA will make every effort to process all cancellations and/or changes transmitted by phone, fax, or in writing as quick as possible; however, there is no guarantee that these modifications will be effected prior to shipment of the original order. In cases where the order has been shipped before the requested cancellation and/or changes could be processed, the standard handling charges will be applied to returned goods. Please note that special orders cannot be cancelled.

**PRICES:** Billing price will be determined according to the price list effective on the date the order is received from the customer.

**SPECIFICATIONS:** Packing, weights, measurements, and designs may be modified without notice.

**SPECIAL FINISHES:** A special manufacturing surcharge may be applied to all finishes other than the standard stock finishes listed in the catalog. If an item is available to be done in a special finish, "SPO" will be noted in the price column. Contact customer service for minimums and pricing.

**LIMITED WARRANTY:** Bouvet USA warranty conditions, whether express or implied, are limited to the following: goods sold will be of a quality consistent with Bouvet standards; all items have been thoroughly tested and inspected to verify that they meet these high standards; a one year warranty against defects in materials and/or workmanship is provided, effective as of the original purchase date. Bouvet is not responsible for any damage caused by impact, tampering, mishandling, or abuse, nor for metal deterioration caused by exposure to atmospheric conditions beyond Bouvet USA's control. (Bouvet USA's products are treated with the Cementex Process. This process consists of integrating zinc particles in steel at very high temperature. This treatment protects products against rusting. However, rust points may occur when products are exposed to extreme atmospheric conditions. The rust points are considered as part of the aging process and contribute to the authentic finish of the products. The Cementex Process has been used in France for more than 20 years). Bouvet USA is not liable for labor or any other costs relating to the sale, installation, use, or replacement of its products.

To make a claim on warranty, the customer must return without delay the defective merchandise, as well as the dated sales receipt, to the distributor or dealer from which it was purchased. The distributor or dealer will then forward the return to Bouvet USA (see RETURNS above). If, following inspection, the product proves to be defective and is covered by warranty, it will be promptly repaired or replaced by Bouvet USA before being returned to the distributor or dealer for delivery to the customer. Bouvet USA is not responsible for any labor or material charges otherwise incurred unless agreed to in writing.



*Bouvet Classics*

2009

## SHIPPING POLICY

### ORDER CONFIRMATION

Every order is confirmed by fax within 24 hours with an expected shipping date.

### BOUVET SHIPPING COMMITMENT

Bouvet USA will do its best to ship your orders within the next 5 working days following the day your order has been placed with us. If we cannot meet this deadline for any reason, you will be informed by fax in the next 24 hours following the expected shipping date. This does not apply to special orders.

Under this policy, UPS Ground orders, UPS 3 Day Select orders, UPS Blue Label orders and UPS Red Label Orders will leave within the next 5 working days.

Our goal is to be able to deliver any order to your door within the next 8 working days (less than two weeks).

### TRANSPORT: 3 DAYS AT THE MOST

Every UPS Ground order (of \$500.00 (five hundreds) net or more) will be shipped UPS 3 Day Select. Customers will only pay for the UPS Ground Charges.

Every UPS Ground order (of \$1,000.00 (one thousand) net or more) will be shipped UPS 3 Day Select. Bouvet USA will pay for the Freight charges.

Exception: Bouvet USA will still deliver UPS Ground in the following states where UPS delivers in 3 days or less: California, Oregon, Washington State, Nevada, Arizona, Colorado, Idaho, New Mexico and Utah.

### SPECIAL REQUESTS

**Next Day Departure** : All orders will have the possibility to leave the Next Business Day (the order must be placed before 12:00 PM (noon) Pacific Time). All orders requesting a Next Day Departure will be charged an extra \$25.00 (twenty-five dollars) special handling charge. This applies to Ground orders, 3 Day Select orders, Blue Label orders and Red Label Orders. If we cannot meet this deadline for any reason, you will be informed by fax before 2:00 PM Pacific Time the same day and the Next Day Departure Fee will not be applied.

**2nd Day Departure**: All orders will have the possibility to leave within the Next 2 Business Days (the order must be placed before 12:00 PM (noon) Pacific Time). All orders requesting a Second Day Departure will be charged an extra \$15.00 (fifteen dollars) special handling charge. This applies to Ground orders, 3 Day Select orders, Blue Label orders and Red Label Orders. If we cannot meet this deadline for any reason, you will be informed by fax before 2:00 PM Pacific Time the same day and the Second Day Departure Fee will not be applied.

**Dropship Policy**: Bouvet USA does not dropship to private residences, only to businesses. Customers requesting dropshipment take full responsibility for the merchandise. Bouvet USA reserves the right to refuse to dropship an order.

These special fees do not apply in case of emergency or for shipment of corrections.

### SPECIAL ORDERS

Special orders from France take from 4 to 6 weeks to be delivered to our warehouse. Bouvet USA will do its best to ship your special order within the next 5 working days following the day your order has arrived from France.

Bouvet USA reserves the right to change shipping policies at any time. Customers will be advised 60 days prior to the date these changes become effective.